

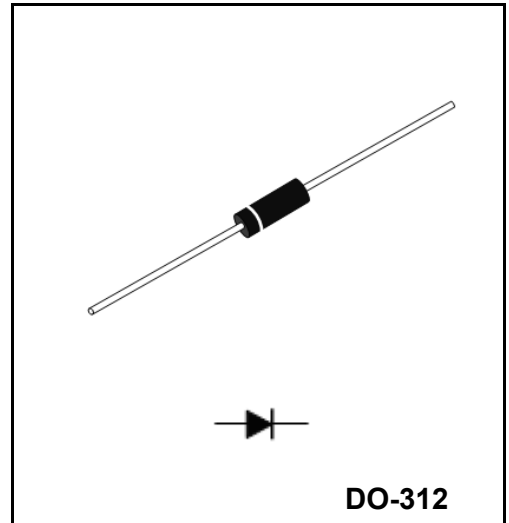
Fast recovery high voltage diodes

Reverse Voltage – 20KV

Forward Current –30mA

FEATURES

- ◆Supersmall size
- ◆High reliability
- ◆High speed switching



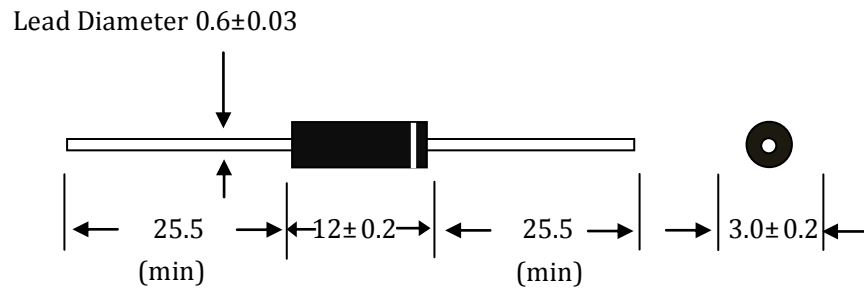
MECHANICAL DATA

- ◆Case: Molded Plastic Body
- ◆Epoxy meets UL 94V-0 flammability rating
- ◆Terminals: Pure tin plated leads, solderable per J-STD-002and JESD22-B102, E3 suffix for consumer grade, meet JESD201class 1A whisker test.
- ◆Polarity: Color band denotes cathode end

Maximum rating (Ta=25°C unless otherwise noted)

Item	Symbol	DD2000	Unit
Repetitive peak reverse voltage	V_{RRM}	20	KV
Non-Repetitive peak reverse voltage	V_{RSM}	20	KV
Average forward current	$I_{F(AV)}$	30	mA
Surge(Non-repetitive)forward current	I_{FSM}	3	A
Peak forward voltage $I_{FM}=10mA$	V_{FM}	40	V
Peak reverse current $V_{RM}=V_{RRM}$	I_{RRM}	5	μA
Reverse recovery time $I_F=10mA, I_{RM}=10mA$	T_{rr}	0.15	μS
Storage Temperature Range	T_{stg}	-40 ~ +150	°C
Virtual junction temperature	$T_{(vj)}$	150	°C

Package outline dimensions



Summary of Packing Options

Package	Packing Description	Packing Quantity	Industry Standard
DO-312	BOX	5000	EIA-481-1