

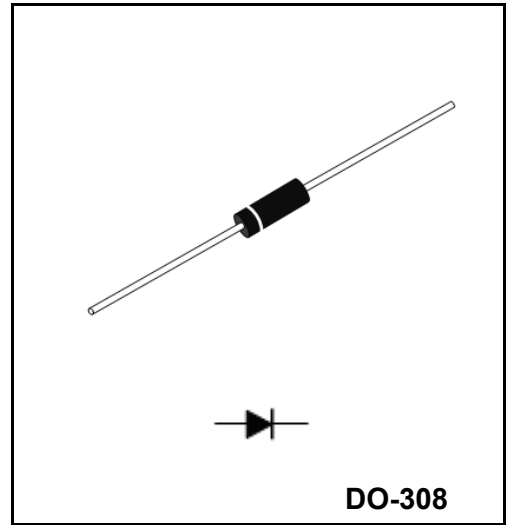
Fast recovery high voltage diodes

Reverse Voltage – 9kV

Forward Current –35mA

FEATURES

- ◆Supersmall size
- ◆High reliability
- ◆High speed switching



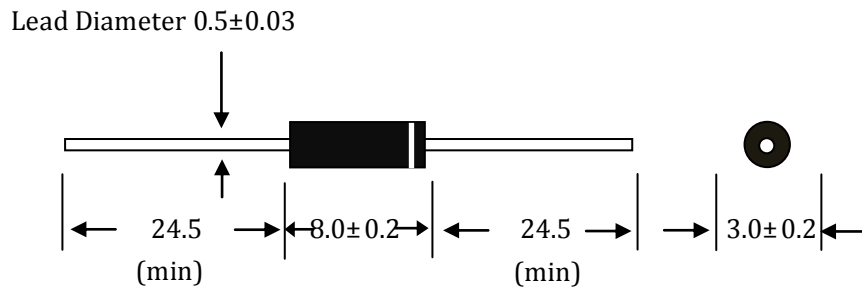
MECHANICAL DATA

- ◆Case: Molded Plastic Body
- ◆Epoxy meets UL 94V-0 flammability rating
- ◆Terminals: Pure tin plated leads, solderable per J-STD-002 and JESD22-B102, E3 suffix for consumer grade, meet JESD201class 1A whisker test.
- ◆Polarity: Color band denotes cathode end

Maximum rating (Ta=25°C unless otherwise noted)

Parameter		Symbol	DD900	Unit
Repetitive peak reverse voltage		V_{RRM}	9	KV
Non-Repetitive peak reverse voltage		V_{RSM}	10	KV
Average forward current	60Hz half-sine wave, Resistance load, Ta=25°C	$I_{F(AV)}$	35	mA
Surge(Non-repetitive)forward current	60Hz half-sine wave, 1cycle, Ta=25°C	I_{FSM}	3	A
Peak forward voltage	$I_{FM}=30mA$	V_{FM}	25	V
Peak reverse current $V_{RM}=V_{RRM}$	Ta=25°C	I_{RRM}	2	μA
	Ta=100°C		5	
Reverse recovery time	$I_F=2mA, I_{RM}=4mA$	T_{rr}	0.10	μS
Operating ambient temperature		T_a	-40 ~ +100	°C
Storage Temperature Range		T_{stg}	-40 ~ +120	°C
Virtual junction temperature		$T_{(vj)}$	120	°C

Package outline dimensions



Summary of Packing Options

Package	Packing Description	Packing Quantity	Industry Standard
DO-308	BOX	5000	EIA-481-1